

TBG03301B

TBW02005B

TBW02006B
(3Modes)

①TBG03301B

②TBW02005B

③TBW02006B



Warm
Spa

Comfort
Wave

Active
Wave

FEATURES

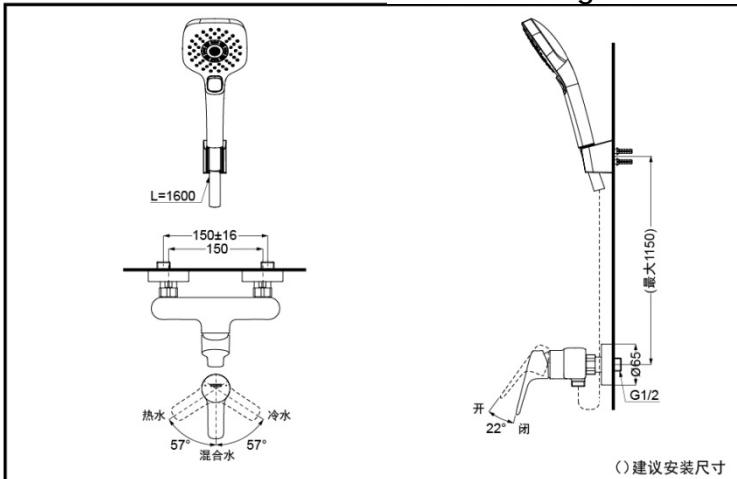
- Elegant appearance.
- Beautiful curves reveal elegant taste.
- Easy installation and usage.

SPECIFICS

Water Inlet Requirement :
0.05MPa(Dynamic Pressure)~1.0MPa(Static Pressure)

Water Efficiency :
Grade2(Hand Shower)

TBG03301B+TBW02006B Wall-Mount Single-Lever Shower Mixer



*TOTO(CHINA) CO.,LTD. All rights reserved.

Others

Series : GS

Recommend fittings : G series
Hand Shower